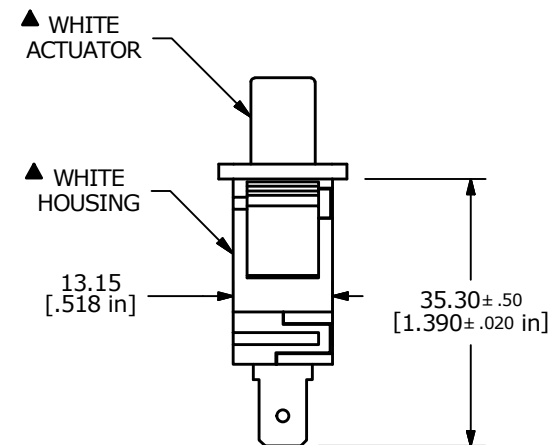
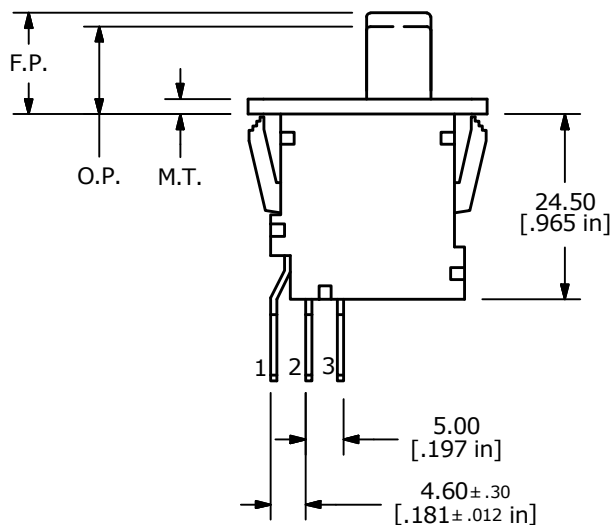


| F.P. (MM) | O.P. (MM) | M.T. (MM) |
|------------|-----------|-----------|
| 11.4 ± 0.5 | 9.6 ± 0.8 | 2.3 |

F.P. = FREE POSITION
O.P. = OPERATING POSITION
M.T. = MAX TRAVEL POSITION



- NOTES:
- ALL DIMENSIONS IN MM
 - GENERAL TOLERANCE: X.X=±0.4
X.XX=±0.25
 - TERM. NOS. FOR REFERENCE ONLY
 - ELECTRICAL LIFE: 6,000 CYCLES
 - OPERATING TEMP: 0°C TO 85°C
 - CONTACT RESISTANCE: 30mΩ MAX. INITIAL
 - 2011/65/EU (ROHS) COMPLIANT
 - ▲ DENOTES CRITICAL PARAMETER
 - CONTACT RATING: UL 16A 125VAC, 12A 250VAC, 1HP 125/250VAC



| REV | PCR NO | DESCRIPTION | DATE | BY |
|-----|--------|-------------------|----------|-----|
| B | 22570 | ADDED PIN NUMBERS | 10/28/16 | MJR |
| A | 22496 | NEW RELEASE | 9/13/16 | MJR |

| | | | | |
|-------------------|----------------|--------|------------------|-------|
| TITLE PP1-4B7-2D2 | | | | |
| SCALE 1:1 | DATE 9/13/2016 | DR MJR | DWG 34-PP14B72D2 | REV B |

THE INFORMATION CONTAINED IN THIS DOCUMENT IS PROPRIETARY TO E-SWITCH AND IS NOT TO BE COPIED OR TRANSFERRED